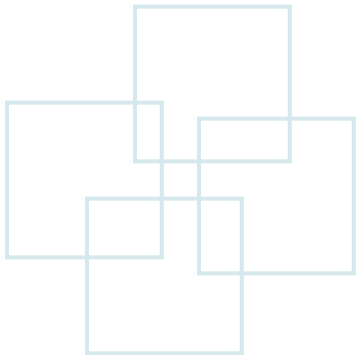


# Class 6

# VHDL Introduction





# VHDL ENTITY and ARCHITECTURE

```

-- majority vote
ENTITY majority_vote IS
    PORT(
        a, b, c: IN BIT;
        y : OUT BIT);
END majority_vote;

ARCHITECTURE maj_vote OF majority_vote IS
BEGIN
    y <= (a and b) or (b and c) or (a and c);
END maj_vote;

```

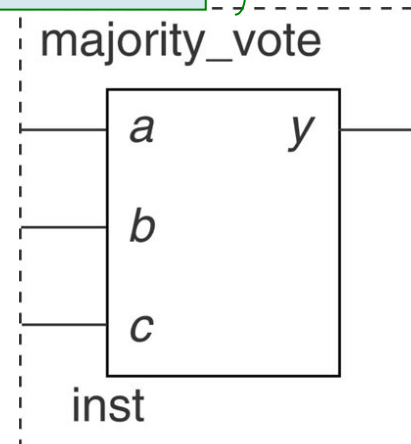
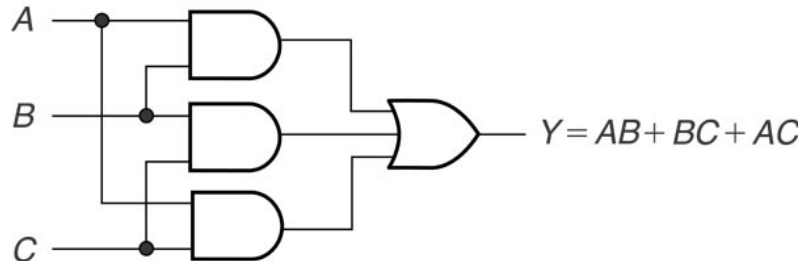
entity name

port definition

entity declaration

Architecture name

architecture body



VHDL is case-insensitive



# AOI

- Solve  $Y = \overline{AB} + \overline{\overline{AC}} + D$

```
-- This is comment
```

Comment

Mode

```
ENTITY logic_circuit IS
```

```
  PORT(
```

```
    a, b, c, d: IN BIT;
```

```
    y: OUT BIT);
```

Type

```
END logic_circuit;
```

```
ARCHITECTURE cct OF logic_circuit IS
```

```
BEGIN
```

assign

```
  y <= not ((a and b) or ((not a) and (not c)) or d);
```

```
END cct;
```

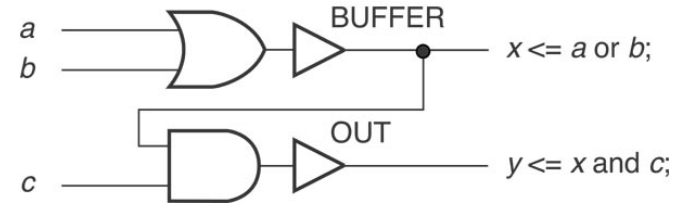
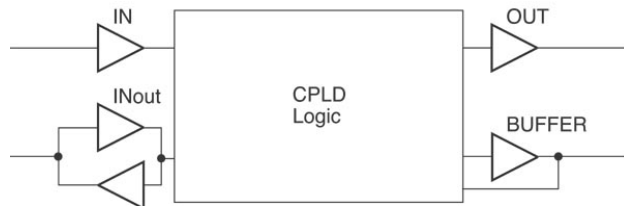


# Modes and Types

- Modes:

- IN, OUT, INOUT, BUFFER

BUFFER is the same as OUT, but allows to be fed back to the CPLD logic to be reused by another function.



- Types

- BIT:

One bit Multiple bits

- BIT, BIT\_VECTOR

- STD\_LOGIC:

- STD\_LOGIC, STD\_LOGIC\_VECTOR

- INTEGER

Equal or larger than 0

Equal or larger than 1

- INTEGER, NATURAL, POSITIVE



# 4-Bit AND Array

```

d(3) <= '0'; d(2) <= '1';
d(1) <= '0'; d(0) <= '1';
IN BIT_VECTOR (3 downto 0)
  d <= " 0101 ";
IN BIT_VECTOR (0 to 3)
  d <= " 1010 ";
    
```

```

-- 4-bit bitwise and function
-- y0 = a0 and b0; y1 = a1 and b1; etc.
ENTITY bitwise_and_4 IS
  PORT(
    a0, a1, a2, a3 : IN BIT;
    b0, b1, b2, b3 : IN BIT;
    y0, y1, y2, y3 : OUT BIT);
END bitwise_and_4;
    
```

Ports defined individually

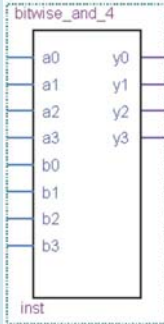
ARCHITECTURE and\_gate OF bitwise\_and\_4 IS  
BEGIN

```

y0 <= a0 and b0;
y1 <= a1 and b1;
y2 <= a2 and b2;
y3 <= a3 and b3;
    
```

Outputs assigned individually

END and\_gate;



-- 4-bit bitwise and function  
-- y = a and b;

ENTITY bitwise\_and\_vec\_4 IS

```

PORT(
  a, b: IN BIT_VECTOR(3 downto 0);
  y: OUT BIT_VECTOR(3 downto 0));
    
```

END bitwise\_and\_vec\_4;

Ports defined as vectors

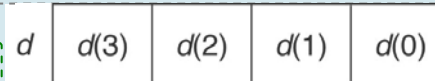
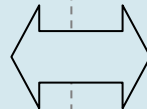
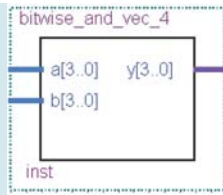
ARCHITECTURE and\_gate OF bitwise\_and\_vec\_4 IS

```

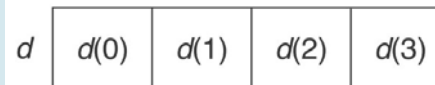
BEGIN
  y <= a and b;
    
```

Outputs assigned as a vector

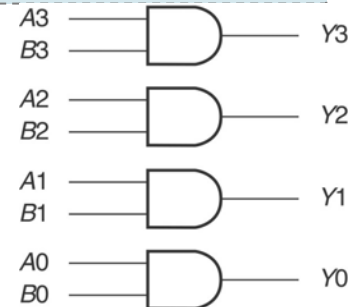
END and\_gate;



a) d (3 downto 0)



b) d (0 to 3)





# WITH ... SELECT

D <sub>3</sub>	D <sub>2</sub>	D <sub>1</sub>	D <sub>0</sub>	Y
0	0	0	0	0
0	0	0	1	0
0	0	1	0	0
0	0	1	1	1
0	1	0	0	0
0	1	0	1	0
0	1	1	0	1
0	1	1	1	0
1	0	0	0	0
1	0	0	1	1
1	0	1	0	0
1	0	1	1	0
1	1	0	0	1
1	1	0	1	0
1	1	1	0	0
1	1	1	1	0

```
ENTITY select_example IS
```

```
  PORT(
```

```
    d: IN BIT_VECTOR(3 downto 0);
```

```
    y: OUT BIT);
```

```
END select_example;
```

Select y based on d

```
ARCHITECTURE cct OF select_example IS
```

```
BEGIN
```

```
  WITH d SELECT
```

```
    y <= '1' WHEN "0011",
```

```
    '1' WHEN "0110",
```

```
    '1' WHEN "1001",
```

```
    '1' WHEN "1100",
```

```
    '0' WHEN others;
```

```
END cct;
```

d(3) d(0)

Value of y

Default is required



## STD\_LOGIC and STD\_LOGIC\_VECTOR

- STD\_LOGIC is also called **IEEE Std.1164 Multi-Valued Logic**
- To use STD\_LOGIC, we must include the package:

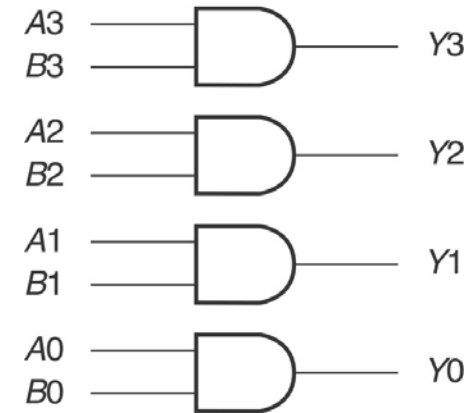
```
LIBRARY ieee;
USE ieee.std_logic_1164.ALL;
```

'U'	Uninitialized
'X'	Forcing Unknown
'0'	Forcing 0
'1'	Forcing 1
'Z'	High Impedance
'W'	Weak Unknown
'L'	Weak 0 (pull-down resistor)
'H'	Weak 1 (pull-up resistor)
'-'	Don't Care



## STD\_LOGIC and STD\_LOGIC\_VECTOR (Cont.)

```
LIBRARY ieee;  
USE ieee.std_logic_1164.ALL;  
  
ENTITY bitwise_and_std_4 IS  
  PORT(  
    a, b: IN  STD_LOGIC_VECTOR(3 downto 0);  
    y: OUT STD_LOGIC_VECTOR(3 downto 0));  
END bitwise_and_std_4;  
  
ARCHITECTURE and_gate OF bitwise_and_std_4 IS  
BEGIN  
  y <= a and b;  
END and_gate;
```







# Tristate

```

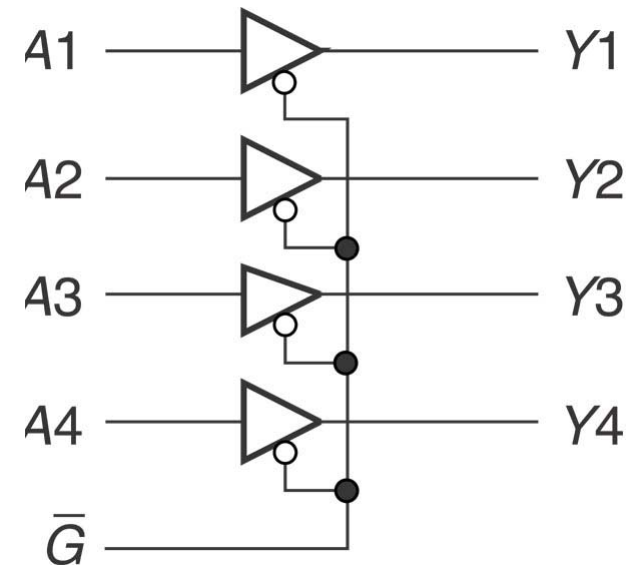
LIBRARY ieee;
USE ieee.std_logic_1164.ALL;

ENTITY quad_tri IS
  PORT(
    a: IN  STD_LOGIC_VECTOR(3 downto 0);
    g: IN  STD_LOGIC;
    y: OUT STD_LOGIC_VECTOR(3 downto 0));
END quad_tri;

ARCHITECTURE quad_buff OF quad_tri IS
BEGIN
  WITH g SELECT
    y <=  a      WHEN '0',
          "ZZZZ" WHEN others;
END quad_buff;

```

Y1	Y2	Y3	Y4	$\bar{G}$
A1	A2	A3	A4	0
'Z'	'Z'	'Z'	'Z'	1





# INTEGER

```
LIBRARY ieee;
USE ieee.std_logic_1164.ALL;
```

```
ENTITY truth_table IS
PORT(
```

```
  d: IN INTEGER RANGE 0 to 7;
  y: OUT STD_LOGIC);
```

```
END truth_table;
```

```
ARCHITECTURE a OF truth_table IS
```

```
BEGIN
```

```
  WITH d SELECT
```

```
  y <= '1'    WHEN 1,
        '1'    WHEN 5,
        '1'    WHEN 6,
        '0'    WHEN others;
```

```
END a;
```

**STD\_LOGIC**

```
LIBRARY ieee;
USE ieee.std_logic_1164.ALL;
```

```
ENTITY truth_table IS
```

```
PORT(
```

```
  d: IN STD_LOGIC_VECTOR(2 downto 0);
  y: OUT STD_LOGIC);
```

```
END truth_table;
```

```
ARCHITECTURE a OF truth_table IS
```

```
BEGIN
```

```
  WITH d SELECT
```

```
  y <= '1'    WHEN "001",
        '1'    WHEN "101",
        '1'    WHEN "110",
        '0'    WHEN others;
```

```
END a;
```

**integer**

D <sub>2</sub>	D <sub>1</sub>	D <sub>0</sub>	Y
0	0	0	0
<b>0</b>	<b>0</b>	<b>1</b>	<b>1</b>
0	1	0	0
0	1	1	0
1	0	0	0
<b>1</b>	<b>0</b>	<b>1</b>	<b>1</b>
<b>1</b>	<b>1</b>	<b>0</b>	<b>1</b>
1	1	1	0



# SIGNAL

- SIGNAL can bundle inputs or outputs into a single group.

```

LIBRARY ieee;
USE ieee.std_logic_1164.ALL;

ENTITY signal_ex IS
  PORT(
    a, b, c : IN STD_LOGIC;
    w, x, y, z : OUT STD_LOGIC);
END signal_ex;

ARCHITECTURE sig OF signal_ex IS
  -- Declaration area
  -- Define signals here
  SIGNAL inputs : STD_LOGIC_VECTOR(2 downto 0);
  SIGNAL outputs : STD_LOGIC_VECTOR(3 downto 0);
BEGIN
  -- Concatenate input ports into 3-bit signal
  inputs <= a & b & c;

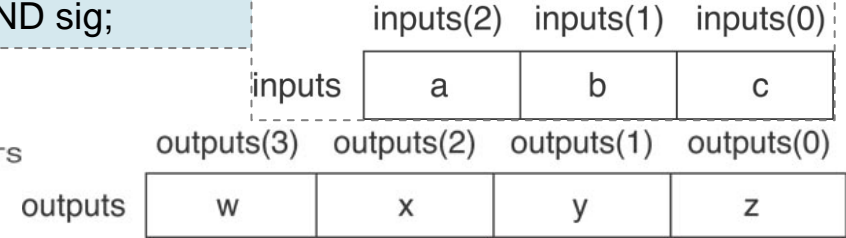
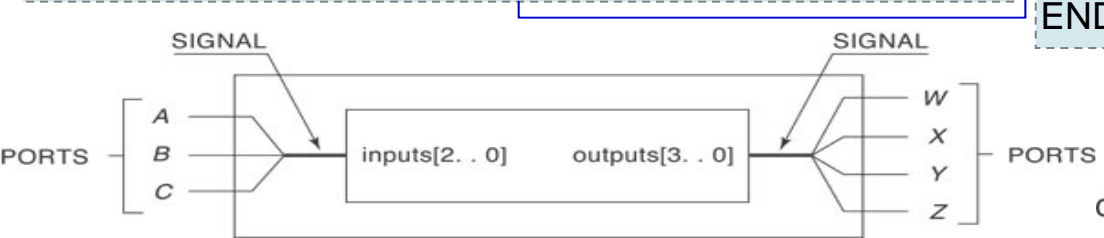
```

```

WITH inputs SELECT
  outputs <=
    "1000" WHEN "000",
    "0100" WHEN "001",
    "0110" WHEN "010",
    "1001" WHEN "011",
    "0110" WHEN "100",
    "0001" WHEN "101",
    "1001" WHEN "110",
    "0010" WHEN "111",
    "0000" WHEN others;
  -- Separate signal
  w <= outputs(3);
  x <= outputs(2);
  y <= outputs(1);
  z <= outputs(0);
END sig;

```

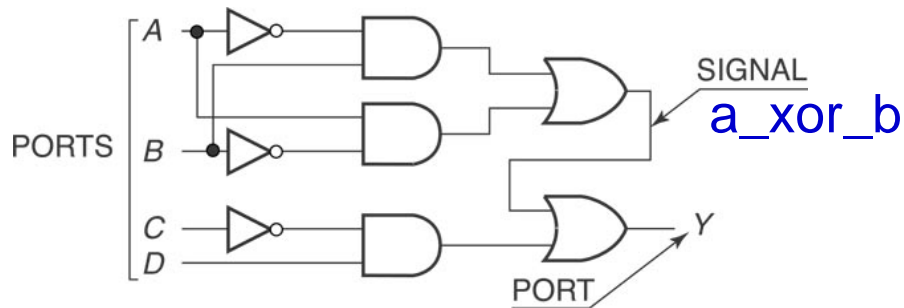
A	B	C	W	X	Y	Z
0	0	0	1	0	0	0
0	0	1	0	1	0	0
0	1	0	0	1	1	0
0	1	1	1	0	0	1
1	0	0	0	1	1	0
1	0	1	0	0	0	1
1	1	0	1	0	0	1
1	1	1	0	0	1	0





# Single-Bit SINGLE

$$Y = \overline{A}B + A\overline{B} + \overline{C}D$$



**--Combine single-bit and multiple-bit signals:**

```

d:IN STD_LOGIC_VECTOR(2 downto 0);
enable: IN STD_LOGIC;
...
SIGNAL inputs: STD_LOGIC_VECTOR (3 downto 0);
...
inputs <= enable & d; -- combine

```

```

LIBRARY ieee;
USE ieee.std_logic_1164.ALL;

```

```

ENTITY signal_ex2 IS
  PORT(
    a, b, c, d : IN  STD_LOGIC;
    y : OUT STD_LOGIC);
END signal_ex2;

```

```

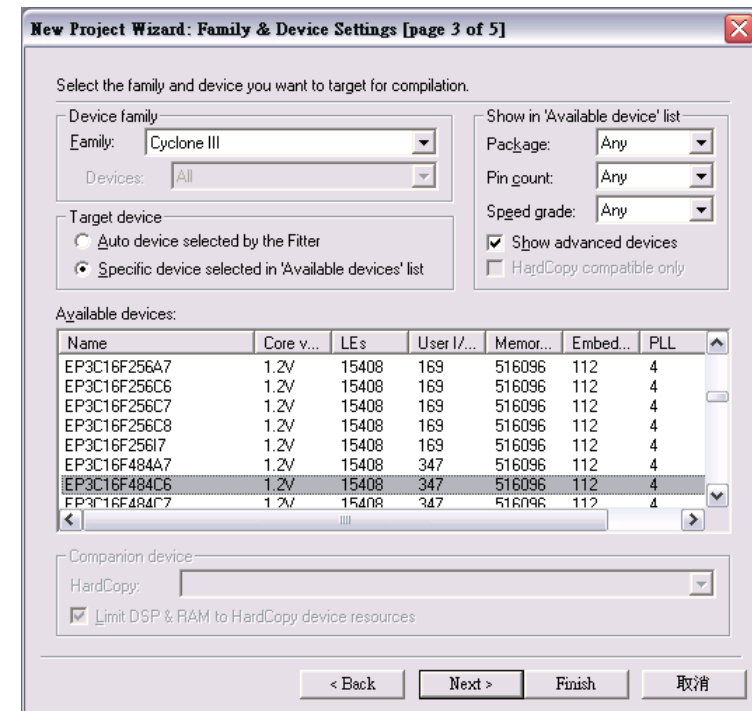
ARCHITECTURE cct of signal_ex2 IS
  -- Declare signal
  SIGNAL a_xor_b : STD_LOGIC;
BEGIN
  -- Define signal in terms of ports a and b
  a_xor_b <= ((not a) and b) or (a and (not b));
  -- Combine signal with ports c and d
  y <= a_xor_b or ((not c) and d);
END cct;

```



# VHDL Design with Quartus II

- Example: When the BUTTON0 is pressed,
  - LEDG0 shows the ANDed result of SW0 and SW1.
  - LEDG1 shows the ORed result of SW0 and SW1.
- Step 1: Start a new project
  - Select **File** → **New Project Wizard**
    - Working directory: Class6
    - Project name: Class6
    - Top-level design entry: Class6
  - Family & Device Settings
    - Device family: Cyclone III
    - Available device: EP3C16F484C6
  - EDA Tool Settings
    - Leave it alone at the moment





# VHDL Design with Quartus II (Cont.)

- Step 2: Design entry using the text editor

- Select **File** → **New** → **VHDL File (.vhd)**
- Save as “Class6.vhd” (check “**Add file to current project**”)
- Edit “Class6.vhd”



```
ENTITY Class6 IS
    PORT(
        A: IN BIT_VECTOR(1 downto 0);
        C: IN BIT;
        X: OUT BIT;
        Y: OUT BIT);
END Class6;

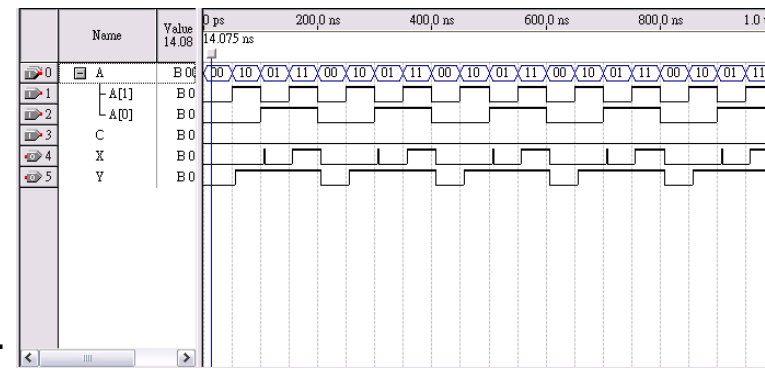
ARCHITECTURE and_or OF Class6 IS
BEGIN
    X <= A(1) and A(0) and (not C);
    Y <= (A(1) or A(0)) and (not C);
END and_or;
```

- Select “**Start Compilation**” to compile the circuit



# VHDL Design with Quartus II (Cont.)

- Step 3: Simulation with Vector Waveform File (.vwf)
  - Select **File** → **New** → **Vector Waveform File (.vwf)**
  - Save as “Class6.vwf” (check “**Add file to current project**”)
  - Select “**Edit** → **Insert** → **Insert Node or Bus** → **Node Finder**” to add input/output pins into the simulation.
  - Select “**Edit** → **End Time**” and select “**Edit** → **Grid Size**” to config the simulation period and count period.
    - A(1): count value, binary, count every 50ns, multiplied by 1. 
    - A(0): count value, binary, count every 50ns, start time: 20ns, multiplied by 2.
    - C: forcing high or forcing low. 
  - Select “**Start Simulation**” to simulate the circuit.
  - Functional simulation
    - Select “**Assignments** → **Settings** → **Simulator Settings**” to set “**Simulation mode**” as **Functional**.
    - Select “**Processing** → **Generate Functional Simulation Netlist**”
    - Select “**Start Simulation**” to simulate the circuit.





# VHDL Design with Quartus II (Cont.)

- Step 3: Simulation with Vector Waveform File (.vwf)
  - Select “Assignments → Device” to configure the board settings.
    - Set Family as Cyclone III and Device as EP316F484C6
    - Select “Device and Pin Options”
      - Select and set “Unsigned Pings” as “As input tri-stated” and
      - Select “Configuration” to set configuration scheme as “Active Serial” and configuration device as “EPCS4”
  - Select “Assignments → Pins” to activate the “Pin Planner”.
  - Select “Start Compilation” to compile the circuit with circuit assignment.
  - Select “Tools → Programmer” to download the .soft file to the FPGA board for testing.

Node Name	Direction	Location
A[1]	Input	PIN_H5
A[0]	Input	PIN_J6
C	Input	PIN_H2
X	Output	PIN_J1
Y	Output	PIN_J2







# Lab 6

## • Part 1 - Simulation

- Use VHDL to design a NAND gate with one output pin **f** and two input pins **a** and **b**. Then use Vector Waveform File (.vwf) to simulate the results.
  - A: count value, binary, simulation period=4us, advanced by 1 every 100ns
  - B: count value, binary, simulation period=4us, advanced by 1 every 200ns

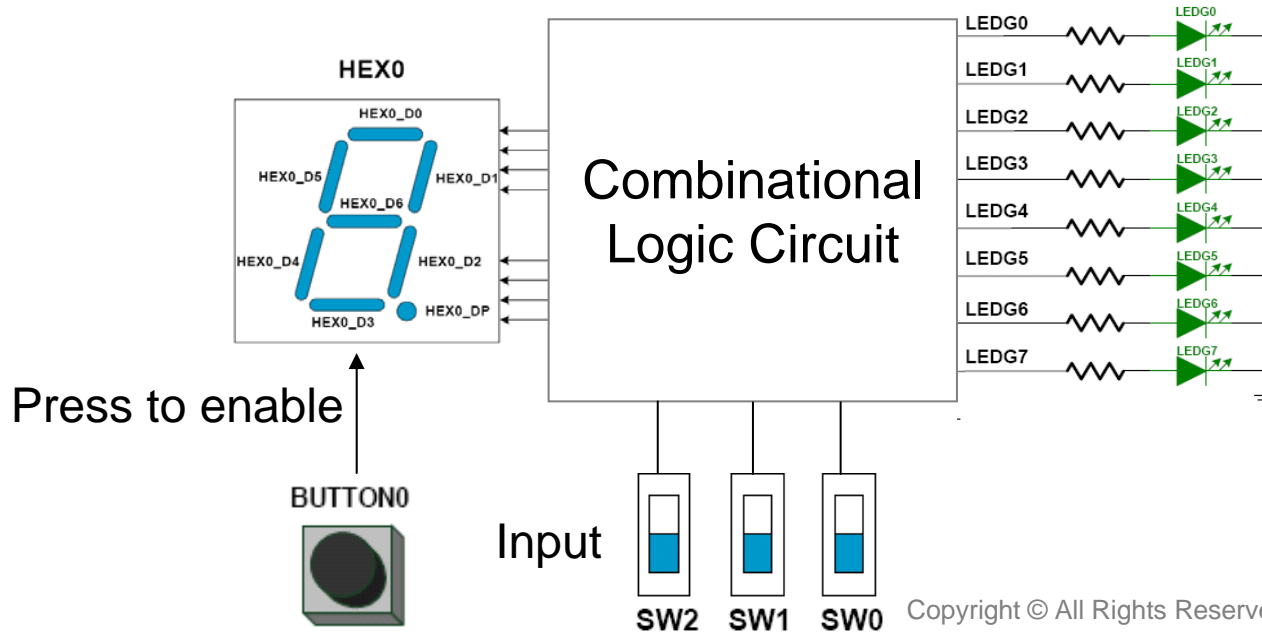
## • Part 2 - Transferring a Design to a Target FPGA

- Use three slides (SW2-SW0) as the binary input value. Solve the following problems with VHDL
  - The corresponding LED (LEDG0-7) is on when selected by the binary input. Other LEDs are off. E.g., 100 (SW2-SW0) lights LEDG4.
  - The first 7-segment LED (HEX0) shows the decimal value of the binary input when the first pushbutton (BUTTON0) is pressed. Otherwise, HEX0 is off. E.g., When BUTTON0 is pressed and the binary input is 101 (SW2-SW0), HEX0 shows 5.



# Report 6

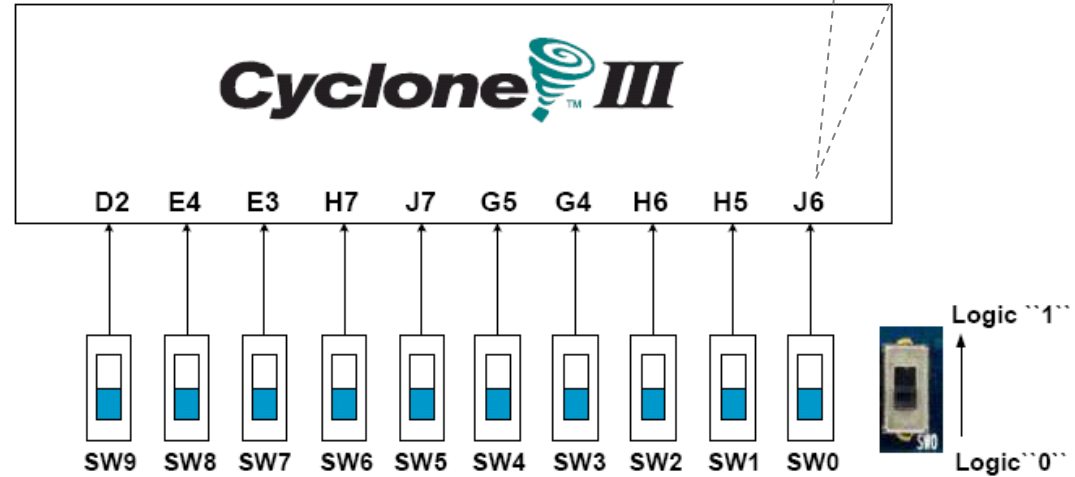
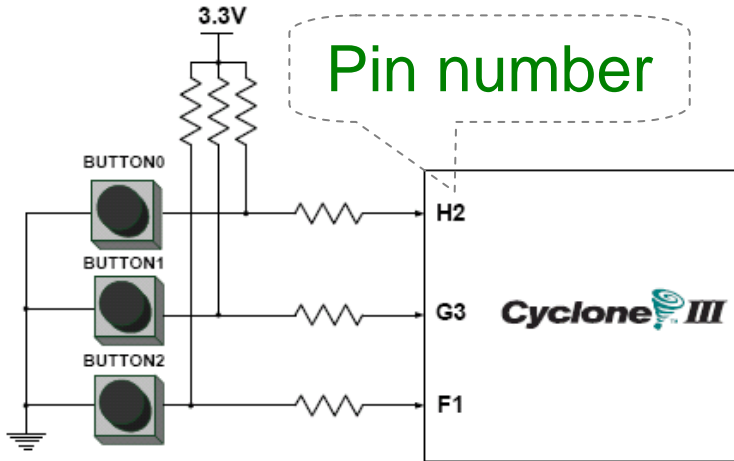
- Part 1 – Simulation
  - Explain the simulation result. (說明實驗結果的原因)
  - Write down what you have learned from this experiment (實驗心得)
- Part 2 - Transferring a Design to a Target FPGA
  - Explain the process of the circuit design (說明電路設計的過程)
  - Write down what you have learned from this experiment (實驗心得)





# Pushbutton and Slide Switches

Pin number



3 Pushbutton switches:  
 Not pressed → Logic High  
 Pressed → Logic Low

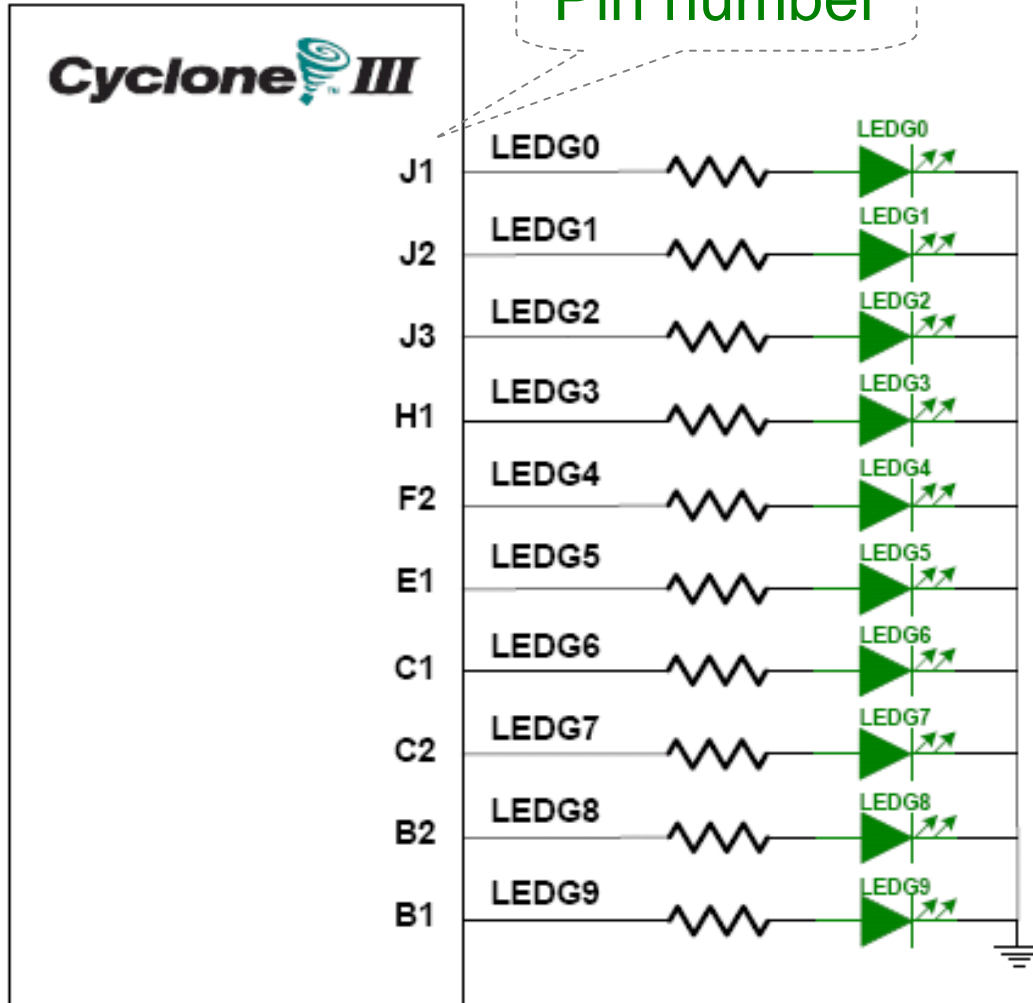
Signal Name	FPGA Pin No.
BUTTON [0]	PIN_ H2
BUTTON [1]	PIN_ G3
BUTTON [2]	PIN_ F1

10 Slide switches (Sliders):  
 Up → Logic High  
 Down → Logic

SW[0]	PIN_ J6	SW[5]	PIN_ J7
SW[1]	PIN_ H5	SW[6]	PIN_ H7
SW[2]	PIN_ H6	SW[7]	PIN_ E3
SW[3]	PIN_ G4	SW[8]	PIN_ E4
SW[4]	PIN_ G5	SW[9]	PIN_ D2



# LEDs



10 LEDs

Output high → LED on

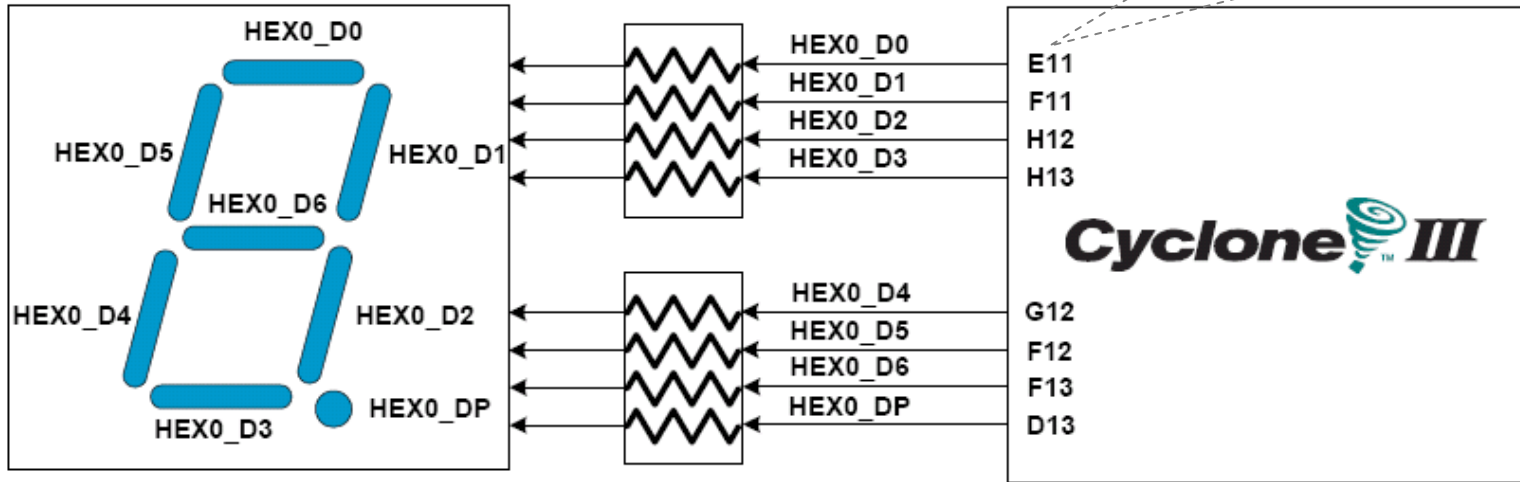
Output low → LED off

Signal Name	FPGA Pin No.
LEDG[0]	PIN_J1
LEDG[1]	PIN_J2
LEDG[2]	PIN_J3
LEDG[3]	PIN_H1
LEDG[4]	PIN_F2
LEDG[5]	PIN_E1
LEDG[6]	PIN_C1
LEDG[7]	PIN_C2
LEDG[8]	PIN_B2
LEDG[9]	PIN_B1



# 7-Segment Displays

Pin number (active-low)



Signal Name	FPGA Pin No.
HEX0_D[0]	PIN_E11
HEX0_D[1]	PIN_F11
HEX0_D[2]	PIN_H12
HEX0_D[3]	PIN_H13
HEX0_D[4]	PIN_G12
HEX0_D[5]	PIN_F12
HEX0_D[6]	PIN_F13
HEX0_DP	PIN_D13

HEX1_D[0]	PIN_A13
HEX1_D[1]	PIN_B13
HEX1_D[2]	PIN_C13
HEX1_D[3]	PIN_A14
HEX1_D[4]	PIN_B14
HEX1_D[5]	PIN_E14
HEX1_D[6]	PIN_A15
HEX1_DP	PIN_B15

HEX2_D[0]	PIN_D15
HEX2_D[1]	PIN_A16
HEX2_D[2]	PIN_B16
HEX2_D[3]	PIN_E15
HEX2_D[4]	PIN_A17
HEX2_D[5]	PIN_B17
HEX2_D[6]	PIN_F14
HEX2_DP	PIN_A18

HEX3_D[0]	PIN_B18
HEX3_D[1]	PIN_F15
HEX3_D[2]	PIN_A19
HEX3_D[3]	PIN_B19
HEX3_D[4]	PIN_C19
HEX3_D[5]	PIN_D19
HEX3_D[6]	PIN_G15
HEX3_DP	PIN_G16